



High Performance Multi-port Modem Cards

Features and Benefits:

- PCI Plug and Play for ease
- Support for digital and analogue calls
- Data, Fax and Voice capabilities
- Multiple cards per server
- Support for multiple operating systems
- Lifetime warranty for security and peace of mind

Applications:

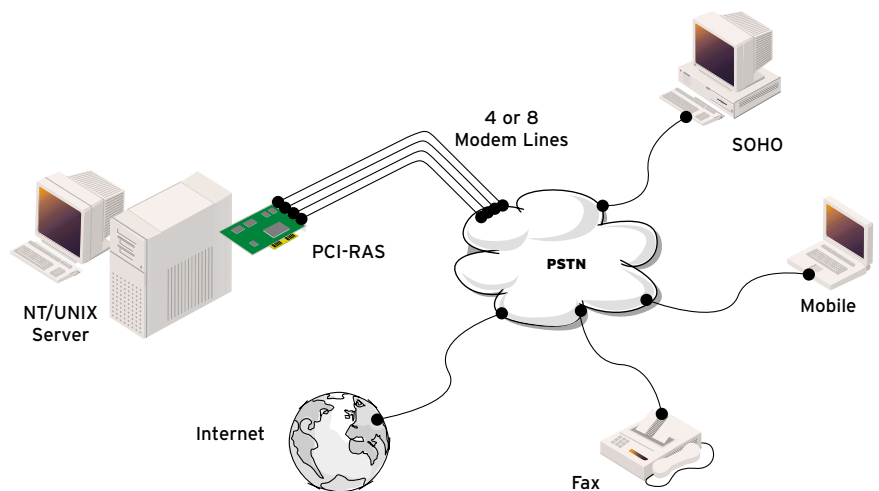
- Remote Access
- Internet Access
- Fax Servers
- Dial-up Data Acquisition

The Perle PCI-RAS card provides a simple solution coupled with high performance to deliver multiple voice, fax and data communications over V90 56K integrated modems. The applications it can serve include Remote Access, Internet access and Fax Serving for either Windows or UNIX/Linux operating systems.

Providing Access

PCI-RAS works with most of today's remote access software, including Windows RAS, to provide an easy to administer dial-in/dial-out solution for remote workers and customers. Also, by combining off-the-shelf fax software with PCI-RAS, a powerful fax server for transmission and receipt can be easily created.

PCI-RAS comes as a 4 or 8 integrated modem card. And, multiple cards can be installed to cater for most application sizes.



Ease of Installation

PCI-RAS cards conveniently integrate all necessary hardware and driver elements right in to the server for simple one-step configuration of the multiple modems. There is minimal cabling with no stacks of external modems or power supplies. Standard phone lines are simply connected to the ports on the PCI-RAS. The cards install easily using standard operating systems procedures or installation wizards, and have been designed to ensure compatibility with a full range of third party communications software.

Class Leading Support and Warranty

The Perle PCI-RAS is backed by the best service and support in the industry including Perle's unique lifetime warranty.



Technical Specifications

Features

- Exar 16C654 enhanced UART
- 64 Byte transmit and receive FIFOs
- Hardware flow control
- Single interrupt per card
- Software controlled hardware reset for each modem
- Data, fax and voice operation
- Industry standard Rockwell modem chipset
- Up to 8 cards per server

Software

Drivers supplied for:

- Citrix
- Windows®2000
- Windows®NT
- Windows®9x
- SCO OpenServer
- SCO Unixware
- Linux
- Solaris

Modem Support:

- 56 Kbps data rate
- 230.4 Kbps data-modem interface
- V.90, K56Flex, V.34bis, V.32bis, V.22bis
- Error Correction V.42 LAPM, MNP2-4
- Data Compression V.42bis, MNP5

Facsimile:

- Send and receive up to 14.4 Kbps
- Group 3, Class 1 and Class 2

Host Interface:

- 32 Bit PCI Bus
- Full PCI plug and play compliant
- Single interrupt per card

Dimensions:

- PCI-RAS 4: 202 mm x 114 mm
- PCI-RAS 8: 312 mm x 106 mm

Operating Temperature:

- 10°C to 45°C

Relative Humidity:

- 5% to 90% non-condensing

Approvals:

- FCC B, Austel A96/0392, CTR21, EN60950, CE, ATick

Warranty:

- Limited lifetime warranty

Free Software

- Perle provides free software upgrades to registered users via Perle's Web site. www.perle.com/downloads

Visit the Perle Web site for up-to-date support and availability information. www.perle.com/products

Ordering Information

For Product Codes and Model Descriptions, please visit Perle's Web site at www.perle.com/products and select Product Family Multi-Modem Cards

Perle Authorised Distributor



Perle Systems Europe Limited
3 Wintersells Road
Byfleet, Surrey
KT14 7LF, United Kingdom
www.perle.com

Contact Perle
Tel. +44 (0)1932 792592
Fax +44 (0)1932 792600
infoeu@perle.com