



The SX range is designed for multi-user systems and remote access server (RAS) environments, where high performance, reliable and expandable serial communications solutions are required.

The SX provides users with an intelligent, expandable connectivity system for 8 to 128 serial devices such as modems, printers, E-POS devices, industrial control and management peripheral devices.

### Flexible connectivity

The SX range consists of Universal PCI or ISA adapter cards and external 8 port SX Device Concentrators available with a range of connectors for RS232, RS422 and parallel printer applications. The system is easily expandable up to a maximum of 32 ports when 4 Device Concentrators are used. Up to 4 adapter cards can be installed per system giving a total of 128 ports.

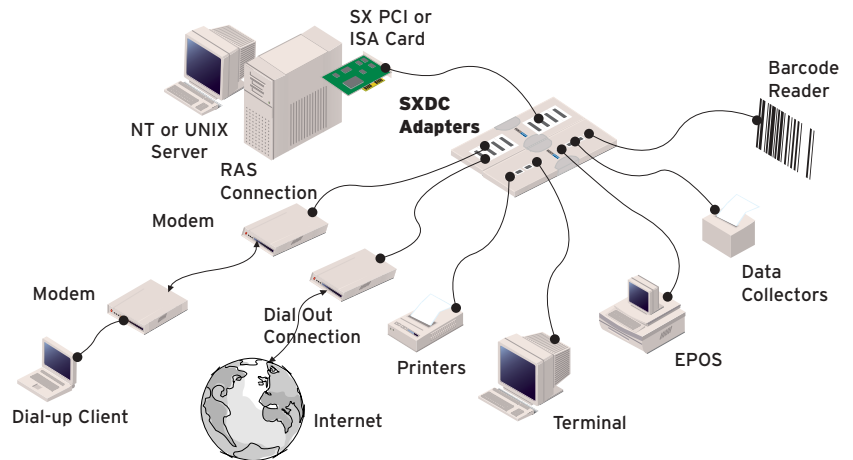
### Modular High speed serial solution

#### Features and Benefits

- Supports speeds up to 921 Kbps
- Universal 3.3/5v PCI and ISA solutions
- Scalable solution from 8 to 128 ports
- ESD protection for peace of mind
- Range of connectivity options
- Lifetime warranty for security and peace of mind

#### Applications:

- Providing connectivity for Windows RAS
- Connecting EPOS devices
- Access serial devices for manufacturing process control
- Connectivity for Data Acquisition
- Connection to modem pools
- Connecting Terminals/printers to UNIX



### High Performance

With fully balanced throughput across multiple ports, each configurable up to a maximum of 921.6 Kbps/sec., the SX is a high performance solution ideally suited for ISP and enterprise remote access applications. Full modem control combined with hardware/software flow control ensures total data integrity even from remote sites. In addition, to ensure exceptional reliability in harsh environments, all signals, on every port, are ESD protected as standard.

The SX PCI Host Card is PCI 2.3 compliant and approved for 2000 and NT environments. Windows®2000 and NT users benefit from PortDirector, a graphical configuration and monitoring utility included with the NT driver.

### Class Leading Support and Warranty

The Perle SX is backed by the best service and support in the industry including Perle's unique lifetime warranty.

## Technical Specifications

### Operating System Support

The SX is supplied with device drivers and utilities for:

- Linux
- SCO OpenServer
- SCO UnixWare
- Open Unix 8
- SUN Solaris x86
- Windows®2000
- Windows®NT

### Expandability

The SX adapter card will support 8 to 32 devices via 8 port external Device Concentrators. A maximum of 4 Device Concentrators may be attached per adapter card. Up to 4 adapter cards may be installed per system depending on system resource available. The number of ports can be expanded without additional software or re-installation.

### Adapter Cards

SX is available as:

- ISA Card
- Universal 3.3-5v PCI card

The SX PCI adapter card has balanced throughput and very low server overhead. Connection to the Device Concentrators is via a 1.5 m extension cable.

### Device Concentrators

- All options are available as standard with ESD protection up to 15KV through air on all pins
- PIN signals for both RS232 & RS422: RD, TD, GND, RTS, CTS, DTR, DSR, DCD, RI (DB25 only)
- Dimensions of Device Concentrator: (h) 26.4 mm, (l) 307.1 mm, (w) 99.9 mm. Units can be desk or wall mounted

### Approvals

- EN55022 Class A, FCC A, EN60950, EN50024, CE, CTick

### Power Requirements

SXDC8 - 8 Ports idle - 0.3 A @ 5 volts 8 Ports  
@ 921 Kbps/sec 0.4 A @ 5 volts

SXPCI-Adapter - 0.9 A Max @ 5 volts

### Environmental

- Operating Temperature: 0°C to 50°C
- Storage Temperature: -30°C to 70°C
- Operating Humidity: 5 to 95% RH (non-condensing)
- Storage Humidity: 5 to 95% RH (non-condensing)

### Warranty:

- Limited lifetime warranty

### Free Software

- Perle provides free software upgrades to registered users via Perle's Web site.  
[www.perle.com/downloads](http://www.perle.com/downloads)

Visit the Perle Web site for up-to-date support and availability information.  
[www.perle.com/products](http://www.perle.com/products)

### Ordering Information

For Product Codes and Model Descriptions, please visit Perle's Web site at [www.perle.com/products](http://www.perle.com/products) and select Product Family Multi-Port Serial Cards

**Perle products available from:**

**Perle Systems  
Asia Pacific (Pte) Ltd.**  
Singapore  
Tel: +65 6749 1700

**Perle Systems Limited**  
China  
Tel: +86 10 6858 8136/8146  
8259/8278

**Perle Systems K.K.**  
Japan  
Tel: +81 (0)3 3447 0833

**Perle Systems Pty. Ltd.**  
Australia  
Tel: +61 3 8802 0663

**[www.perle.com](http://www.perle.com)**

Perle products are constantly reviewed and updated to meet customers' needs, as such specifications and capabilities are subject to change without notice. We endeavor to keep product descriptions as current as possible; for the latest up-to-date information, please visit our web site at [www.perle.com](http://www.perle.com). Perle is a registered trademark of Perle Systems. All other product names are trademarks of their respective holders. Copyright©Perle.