

P2600 SERIES

Perle Modular Central Site Access Routers



The most cost effective solution for connecting multiple physical WAN links

Features and Benefits:

- Multiple leased line, Frame Relay or ISDN interfaces for up to 14 simultaneous connections
- Virtual Private Network (VPN) capabilities for secure, low cost networking
- Compatibility with other vendors' products via industry standard protocols
- Stac LZS data compression increases data throughput up to 600%
- Permanent or dial up ISDN BRI connections
- Auto-configuration to detect Frame Relay parameters for trouble-free connectivity
- Integrated dual power supply configurations provide fault tolerance and redundancy
- Hot swappable mixed WAN interfaces give total flexibility when connecting remote users
- Lifetime warranty for security and peace of mind

Applications

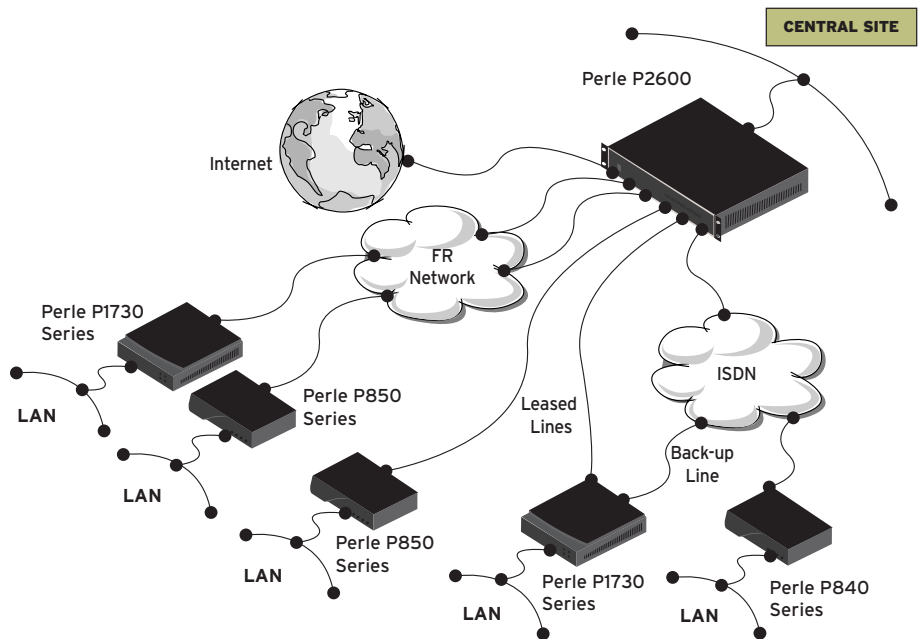
- Connectivity of central offices to multiple remote locations:
 - Telcos
 - Large enterprises
 - ISPs

The Perle P2600 Series of central site access routers is the industry's most cost effective, flexible and scalable central site routers and is designed for the future growth of your network. Multiple Frame Relay, ISDN and leased lines connect to the P2600 from the enterprise wide area network to deliver a complete and reliable centralized inter-networking solution.

With simultaneous connections for up to 128 Frame Relay DLCIs (Data-link Connection Identifiers) per line or up to 14 remote offices using leased line WAN and ISDN interfaces, the P2600 easily handles the traffic of a large network for worry-free enterprise networking.

Modular Configuration

The P2600 is a central site router that supports up to 14 WAN modules including ISDN BRI modules (which count as 2 lines each). Any combination of modules is allowed as long as the number of lines is up to 14 for environments that require the maximum in network flexibility.



Once installed, the WAN modules are 'hot-swappable' and can be changed without the need to shut down or reboot the entire unit.

To keep ISDN costs low, the P2600 supports multiple hunt groups which reduce the number of BRI lines required. The router can be configured to selectively group ISDN "B" channels into contention groups supporting both periodic and frequently connected remote sites with fewer "B" channels.

The P2600 chassis is optionally supplied with integrated dual power supplies for fault tolerance and redundancy, automatically switching to the second supply should a fault occur.

Security

Perle routers ensure data privacy with secure user authentication, firewalls, monitoring, configurable PPP security levels and other features. Optional VPN software ensures secured data gets to its intended audience and to no-one else.

Management

The Perle P2600 Series routers support administrator management from a range of platforms and applications. By utilizing the Perle router configuration tools, such as the easy-to-use menuing system and the automatic self configuration of the Frame Relay and leased line interfaces, administrators can very quickly set up the routers at local and remote sites for immediate productivity.

Class Leading Service and Support

The Perle P2600 Series are backed by the best service and support in the industry including Perle's unique lifetime warranty.

Technical Specifications

Routing Protocols

- IP, IPX, RIP, RIP2, ARP, Proxy ARP, ICMP, Novell IPX, Novell RIP, Novell SAP, Novell SAP spoofing

Bridging Protocols

- 802.3/Ethernet Transparent MAC layer bridging
- 802.1D Spanning Tree Protocol
- Closed-loop bridging (Delta/Triangulation)

WAN Protocols

- PPP and ML-PPP, BACP, Frame Relay, RFC1490, ISDN

Other Protocols

- UDP
- TCP
- TFTP
- BACP

Frame Relay Features

- Support for up to 128 DLCIs
- LMI Support for Annex A (ANSI), Annex D (ITU), LMI Type, and None
- Default Learning of LMI type
- Auto Learning of Frame Relay DLCIs

Security

- NAT, NAT, Reverse NAT
- NetSAFE Firewall, PAP, CHAP
- VPN: IPSec, DES/3DES (optional)

ISDN Bandwidth Management

- Transparent link activation/deactivation on:
 - Time of day
 - IP and/or IPX destination address
 - LAN Traffic
 - Automatic activation of 2nd link on mail link threshold

Network Management

- SNMP, MIB II, Bridge MIB, Telnet, Local RS-232 console port

Compression

- Stac LZS compression

Filter Rate

- 14,000 pps (nominal)

LAN Interface Options

- 10BaseT (RJ45)
- 10Base2 (BNC)
- 10Base5 (AUI)

WAN Interface

- Automatic self configuration of leased line ports from default profiles

Telecoms Approvals

- NI-1 (North America)
- NET3 (CE Europe)

Dimensions

- 4.4" x 17.5" x 11.6" (W x D x H)

Weight

- 13 lbs

Temperature

- 36°F to 122°F

Humidity

- 20% to 80% non-condensing

Power

- Dual power supply
- 80-240 VAC 50-60 Hz
- 20 watts maximum

Warranty

- Limited lifetime warranty

Maintenance Agreement

- To ensure rapid system recovery, maintenance agreements are available for Perle hardware. These include on-site service in many areas, or express part replacement. Visit Perle's Web site for coverage details.

www.perle.com/support/service_sales.html

Free Software

- Perle provides free software upgrades to registered users via Perle's Web site.

www.perle.com/downloads

Visit the Perle Web site for up-to-date product support and technical information.

www.perle.com/products

Ordering Information

For Product Codes and Model Descriptions, please visit Perle's web site at www.perle.com/products and select Product Family Routers

P2600 Series

Model	Power Supplies
P2601	1
P2602	2

Optional WAN Modules

V.24	ISDN S/T
V.35	ISDN U
RS422/RS530	56/64K CSU/DSU
X.21	T1/E1 CSU/DSU
G.703	

Perle products available from:



Perle Systems Inc.
565 Marriott Drive, Suite 850
Nashville, TN 37214
www.perle.com

Contact Perle
Tel. 800 GO PERLE
Fax 615 872 0771
info@perle.com

Perle products are constantly reviewed and updated to meet customers' needs, as such specifications and capabilities are subject to change without notice. We endeavor to keep product descriptions as current as possible; for the latest up-to-date information, please visit our web site at www.perle.com. Perle is a registered trademark of Perle Systems. All other product names are trademarks of their respective holders. Copyright©Perle.