



The most cost effective solution for connecting multiple physical WAN links

### Features and Benefits:

- Multiple leased line, Frame Relay or ISDN interfaces for up to 14 simultaneous connections
- Virtual Private Network (VPN) capabilities for secure, low cost networking
- Compatibility with other vendors' products via industry standard protocols
- Stac LZS data compression increases data throughput up to 600%
- Permanent or dial up ISDN BRI connections
- Auto-configuration to detect Frame Relay parameters for trouble-free connectivity
- Integrated dual power supply configurations provide fault tolerance and redundancy
- Hot swappable mixed WAN interfaces give total flexibility when connecting remote users
- Lifetime warranty for security and peace of mind

### Applications

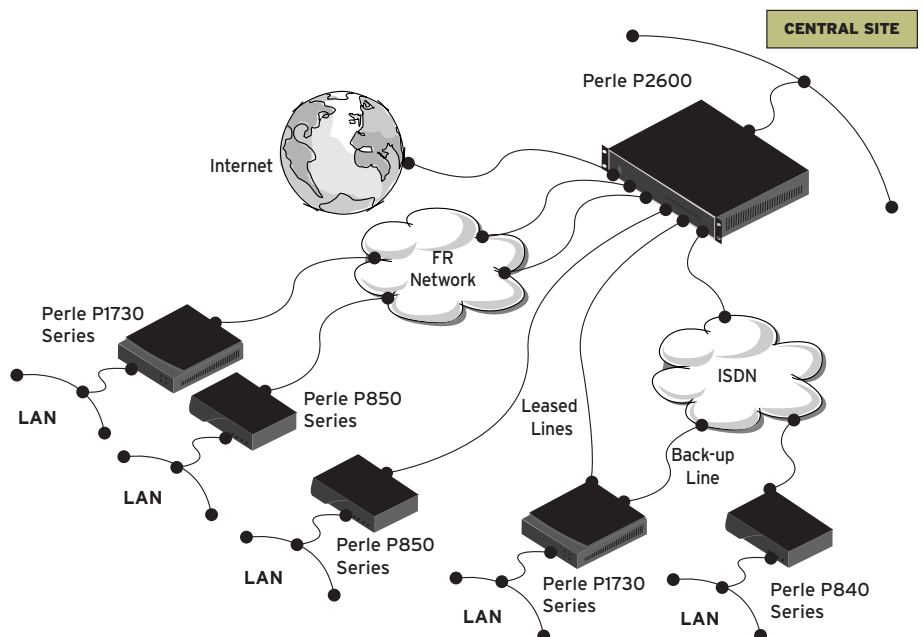
- Connectivity of central offices to multiple remote locations:
  - Telcos
  - Large enterprises
  - ISPs

The Perle P2600 Series of central site access routers is the industry's most cost effective, flexible and scalable central site routers and is designed for the future growth of your network. Multiple Frame Relay, ISDN and leased lines connect to the P2600 from the enterprise wide area network to deliver a complete and reliable centralised inter-networking solution.

With simultaneous connections for up to 128 Frame Relay DLCIs (Data-link Connection Identifiers) per line or up to 14 remote offices using leased line WAN and ISDN interfaces, the P2600 easily handles the traffic of a large network for worry-free enterprise networking.

### Modular Configuration

The P2600 is a central site router that supports up to 14 WAN modules including ISDN BRI modules (which count as 2 lines each). Any combination of modules is allowed as long as the number of lines is up to 14 for environments that require the maximum in network flexibility.



Once installed, the WAN modules are 'hot-swappable' and can be changed without the need to shut down or reboot the entire unit.

The P2600 chassis is optionally supplied with integrated dual power supplies for fault tolerance and redundancy, automatically switching to the second supply should a fault occur.

### Security

Perle routers ensure data privacy with secure user authentication, firewalls, monitoring, configurable PPP security levels and other features. Optional VPN software ensures secured data gets to its intended audience and to no-one else.

### Management

The Perle P2600 Series routers support administrator management from a range of platforms and applications. By utilising the Perle router configuration tools, such as the easy-to-use menuing system and the automatic self configuration of the Frame Relay and leased line interfaces, administrators can very quickly set up the routers at local and remote sites for immediate productivity.

### Class Leading Service and Support

The Perle P2600 Series are backed by the best service and support in the industry including Perle's unique lifetime warranty.

## Technical Specifications

### Routing Protocols

- IP, IPX, RIP, RIP2, ARP, Proxy ARP, ICMP, Novell IPX, Novell RIP, Novell SAP, Novell SAP spoofing

### Bridging Protocols

- 802.3/Ethernet Transparent MAC layer bridging
- 802.1D Spanning Tree Protocol
- Closed-loop bridging (Delta/Triangulation)

### WAN Protocols

- PPP and ML-PPP, BACP, Frame Relay, RFC1490, ISDN

### Other Protocols

- UDP
- TCP
- TFTP
- BACP

### Frame Relay Features

- Support for up to 128 DLCIs
- LMI Support for Annex A (ANSI), Annex D (ITU), LMI Type, and None
- Default Learning of LMI type
- Auto Learning of Frame Relay DLCIs

### Security

- NAT, NAPT, Reverse NAPT
- NetSAFE Firewall, PAP, CHAP
- VPN: IPSec, DES/3DES (optional)

### ISDN Bandwidth Management

- Transparent link activation/deactivation on:
  - Time of day
  - IP and/or IPX destination address
  - LAN Traffic
  - Automatic activation of 2nd link on mail link threshold

### Network Management

- SNMP, MIB II, Bridge MIB, Telnet, Local RS-232 console port

### Compression

- Stac LZS compression

### Filter Rate

- 14,000 pps (nominal)

### LAN Interface Options

- 10BaseT (RJ45)
- 10Base2 (BNC)
- 10Base5 (AUI)

### WAN Interface

- Automatic self configuration of leased line ports from default profiles

### Telecoms Approvals

- NET3 (CE Europe)
- NI-1 (North America)

### Dimensions

- 444 x 295 x 111 mm (W x D x H)

### Weight

- 6 Kg

### Temperature

- 2°C to 50°C

### Humidity

- 20% to 80% non-condensing

### Power

- Dual power supply
- 80-240 VAC 50-60 Hz
- 20 watts maximum

### Warranty

- Limited lifetime warranty

### Maintenance Agreement

- To ensure rapid system recovery, maintenance agreements are available for Perle hardware. These include on-site service in many areas, or express part replacement. Visit Perle's Web site for coverage details.  
[www.perle.com/support/service\\_sales.html](http://www.perle.com/support/service_sales.html)

### Free Software

- Perle provides free software upgrades to registered users via Perle's Web site.  
[www.perle.com/downloads](http://www.perle.com/downloads)

Visit the Perle Web site for up-to-date product support and technical information.  
[www.perle.com/products](http://www.perle.com/products)

### Ordering Information

For Product Codes and Model Descriptions, please visit Perle's web site at [www.perle.com/products](http://www.perle.com/products) and select Product Family Routers

## P2600 Series

Model	Power Supplies
P2601	1
P2602	2

## Optional WAN Modules

V.24	ISDN S/T
V.35	ISDN U
RS422/RS530	56/64K CSU/DSU
X.21	T1/E1 CSU/DSU
G.703	

Perle products available from:



**Perle Systems Europe Limited**  
3 Wintersells Road  
Byfleet, Surrey  
KT14 7LF, United Kingdom  
[www.perle.com](http://www.perle.com)

**Contact Perle**  
Tel. +44 (0)1932 792592  
Fax +44 (0)1932 792600  
[infoeu@perle.com](mailto:infoeu@perle.com)

Perle products are constantly reviewed and updated to meet customers' needs, as such specifications and capabilities are subject to change without notice. We endeavor to keep product descriptions as current as possible; for the latest up-to-date information, please visit our web site at [www.perle.com](http://www.perle.com). Perle is a registered trademark of Perle Systems. All other product names are trademarks of their respective holders. Copyright©Perle.